

# Uncle George Bat Box Instructions

All of the Dimensions Listed Are In Inches Unless Specified Otherwise

## Supplies

- ACX ½ inch plywood - 24 x 24
- Rough sawn ¼ inch plywood - 24x24
- J-flashing - 12 inches
- Metal hanger
- Silicone caulk - 1 tube
- 1x4x36 – cedar wood
- Matte black spray paint - 1 can
- Box of 1 inch Brads

**NOTE: DON'T USE ANY TREATED WOOD. IT IS POISONOUS TO THE BATS THAT WILL LIVE INSIDE**

## Pieces

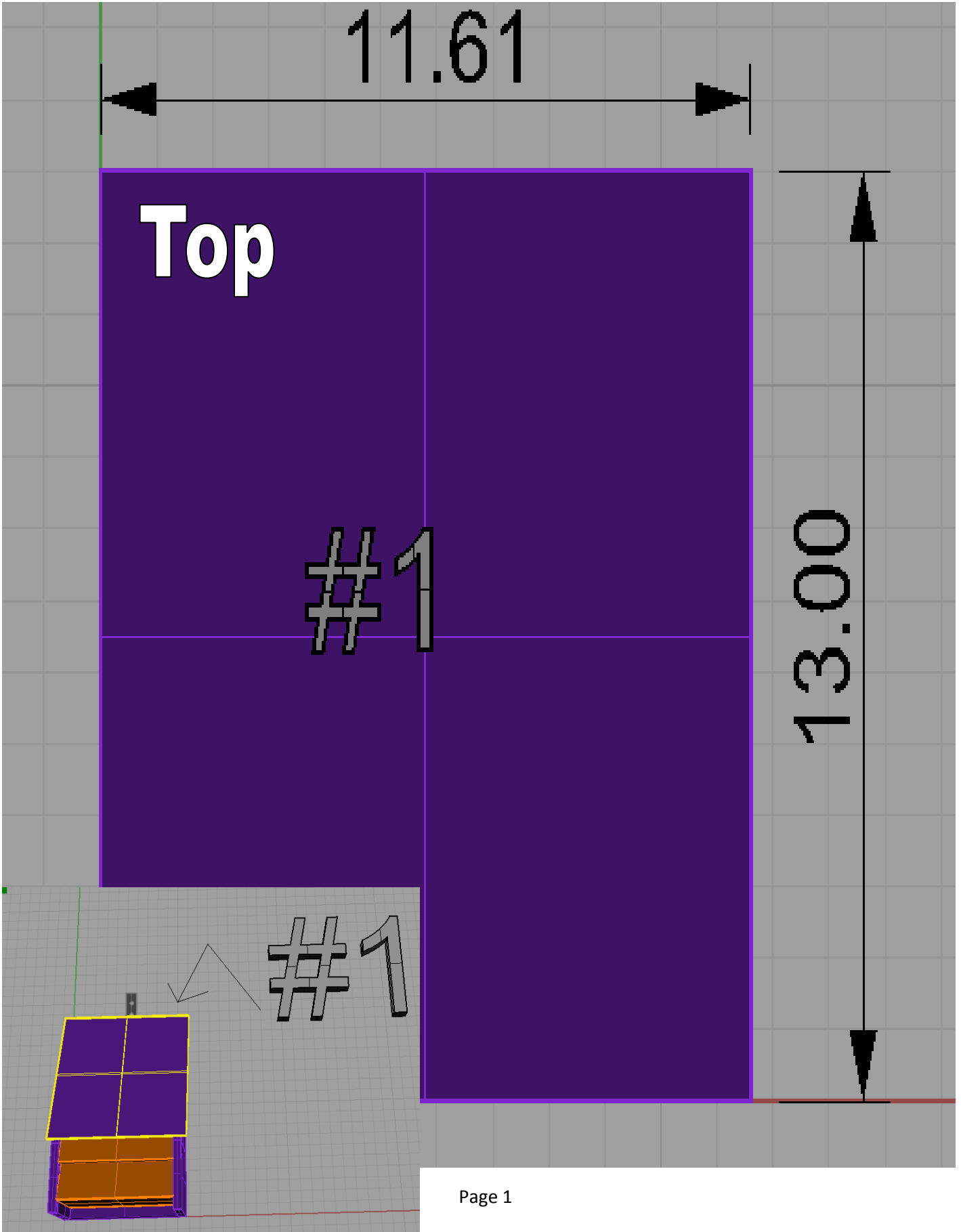
- The **back** piece is the piece that goes against the side of wall, post or other wall like surface. It says **back** on it and is made using the ½ inch smooth plywood.
- The **sides** (2) are the triangle like shaped pieces made using ½ inch smooth plywood. They fit between the top and the **back** piece.
- The **bottom** is the small rectangular piece that is made using ¼ inch rough-cut plywood (sawn), it is going to fit in just underneath the **back most separator** about an inch in.
- The **back most separator** is made of ¼ rough-cut plywood it will go on top of the **bottom** so that it just reaches the edge of the box.
- The **spacers** go in between the **back most separator** and the **middle separator** and between the **middle separator** and the top. Made of cedar cut to the dimensions (.75x.75x8)
- The **middle separator** sits just on top of the **spacers** and is made of rough-cut ¼ inch plywood.
- The **top** is the part that you see on the **top**, it is made of ½ inch smooth and is set on top of the **spacers** on the **middle separator**.
- The **flashing** is a metal strip just long enough to cover the joint on top of the bat box.
- The **metal hanger** is a sturdy strip of metal with 2 or 3 holes in the middle of it. Attach it to the back of the bat box using a ¾ inch nail or screw using the remaining holes to secure it to the wall or post.

# Uncle George Bat Box Instructions

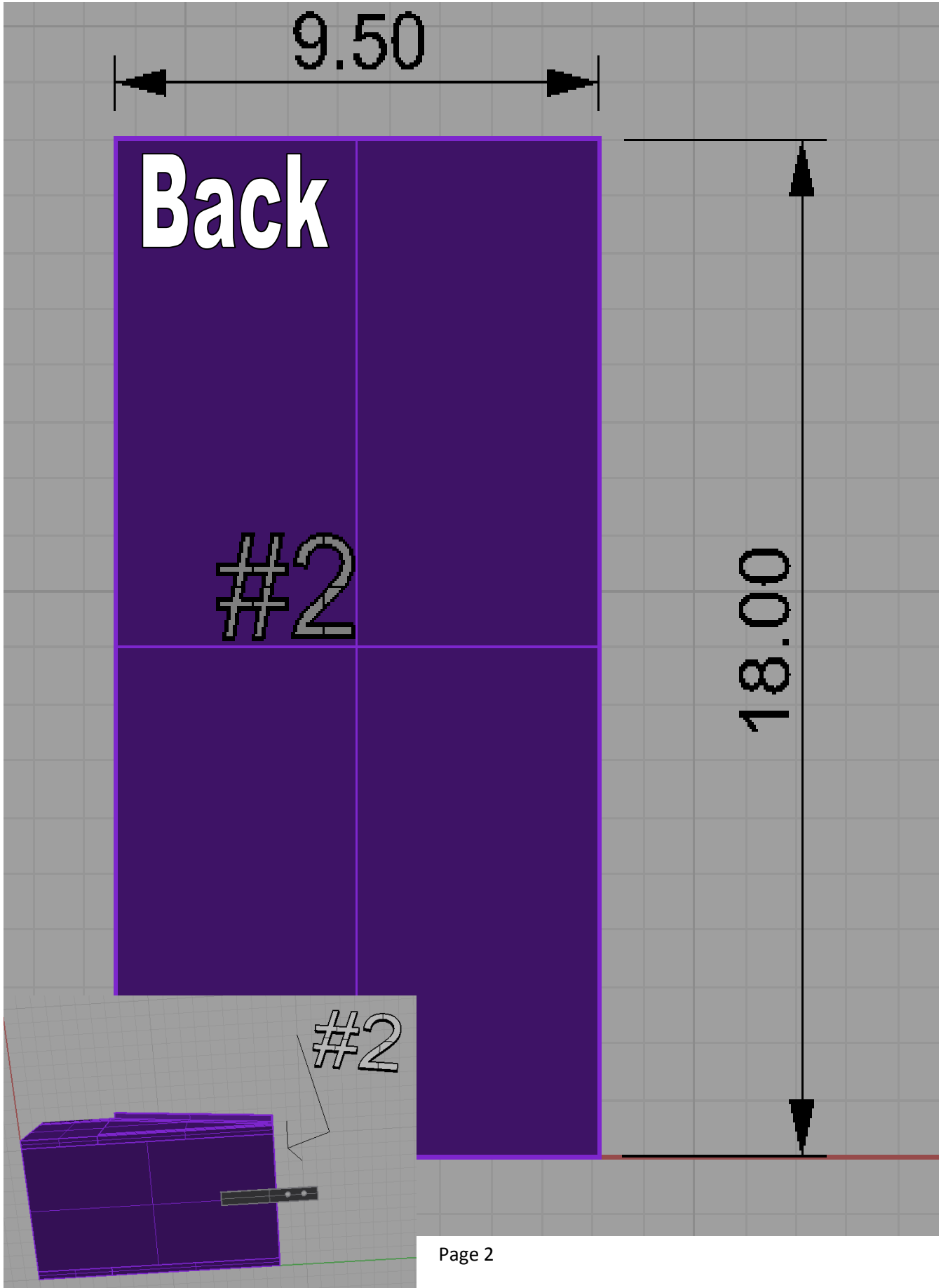
## Steps

- Step 1: After cutting all the separate pieces of wood, lay the **back** piece on the bench.
- Step 2: Place the left side piece on the **back** piece and attach using glue and 1 inch brads. (Note: a finishing nail gun may be used but is not necessary)
- Step 3: Repeat Step 2 for the right side.
- Step 4: Place the **bottom** of the bat box in place and fasten using glue and 1 inch brads.
- Step 5: Fasten the **back most separator** onto the left and right side pieces per diagram on page 5.
- Step 6: Fasten the **spacers** to the separator installed in Step 5, using glue and 1 inch brads.
- Step 7: Fasten the **middle separator** onto the spacers installed in Step 6 and fasten to the left and right side pieces.
- Step 8: Fasten the **spacers** to the separator installed in Step 7, using glue and 1 inch brads.
- Step 9: Fasten the front to the **sides** using glue and 1 inch brads.
- Step 10: Fasten the solid wood strips to cover the edges of the **sides** using glue and 1-inch brads.
- Step 11: Caulk all the joints to provide privacy for the bats as they sleep during the daytime.
- Step 12: Install **flashing** along the top edge of the box using 1 1/2 inch roofing nails.
- Step 13: Install a **hanger** on the top of the **back** side using 3/4 inch screws or nails.
- Step 14: Paint the outside using flat black spray paint. (**DON'T** get it on the rough cut wood)
- Step 15: Hang your bat box in a proud location for the bats to use and keep your yard bug-free for most of the year.

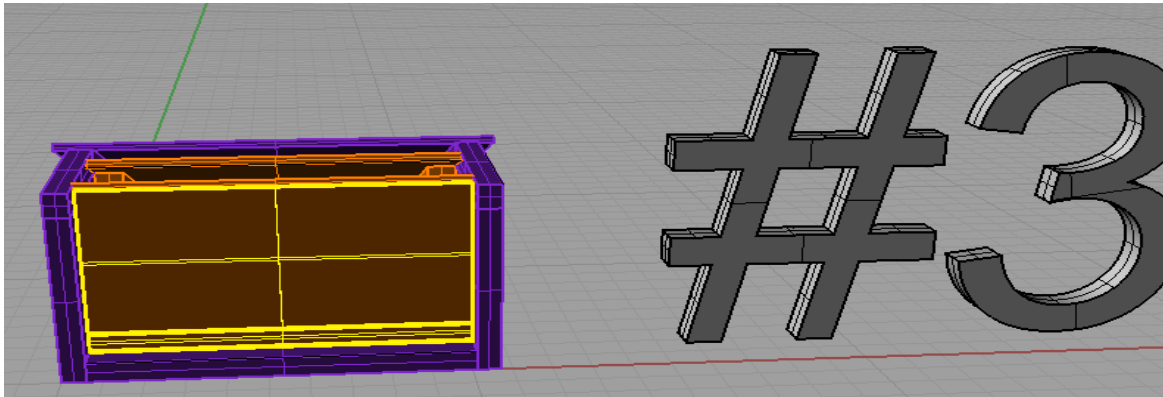
# Uncle George Bat Box Instructions



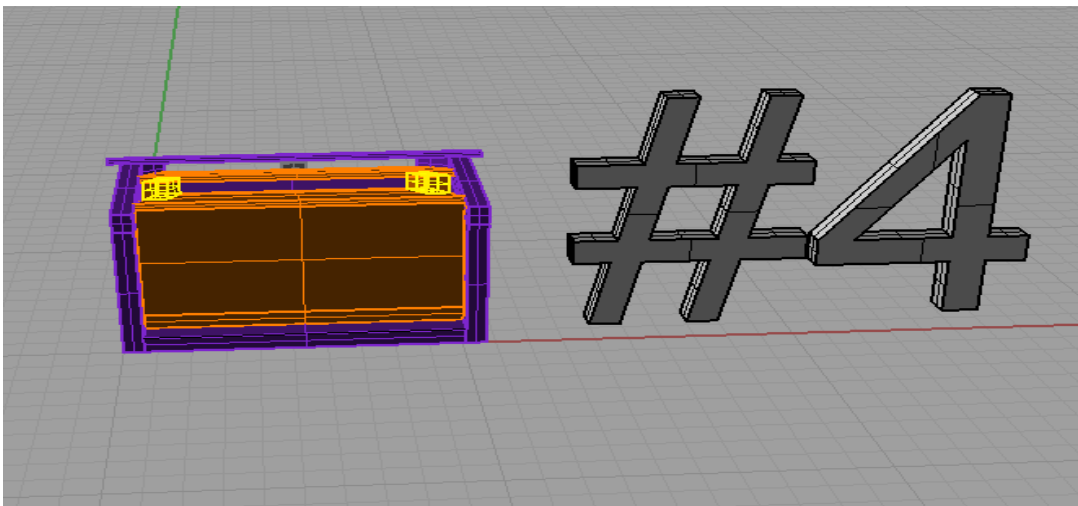
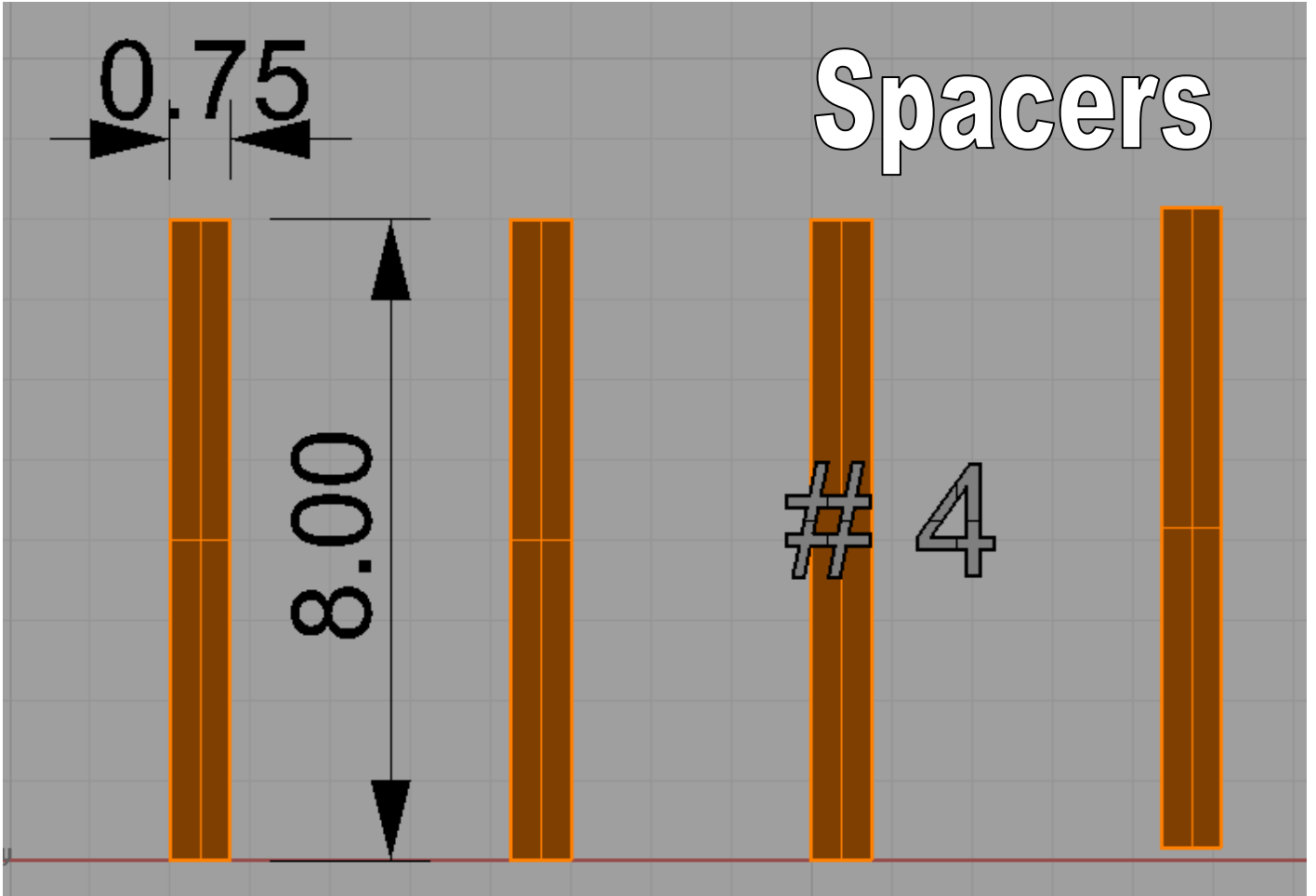
# Uncle George Bat Box Instructions



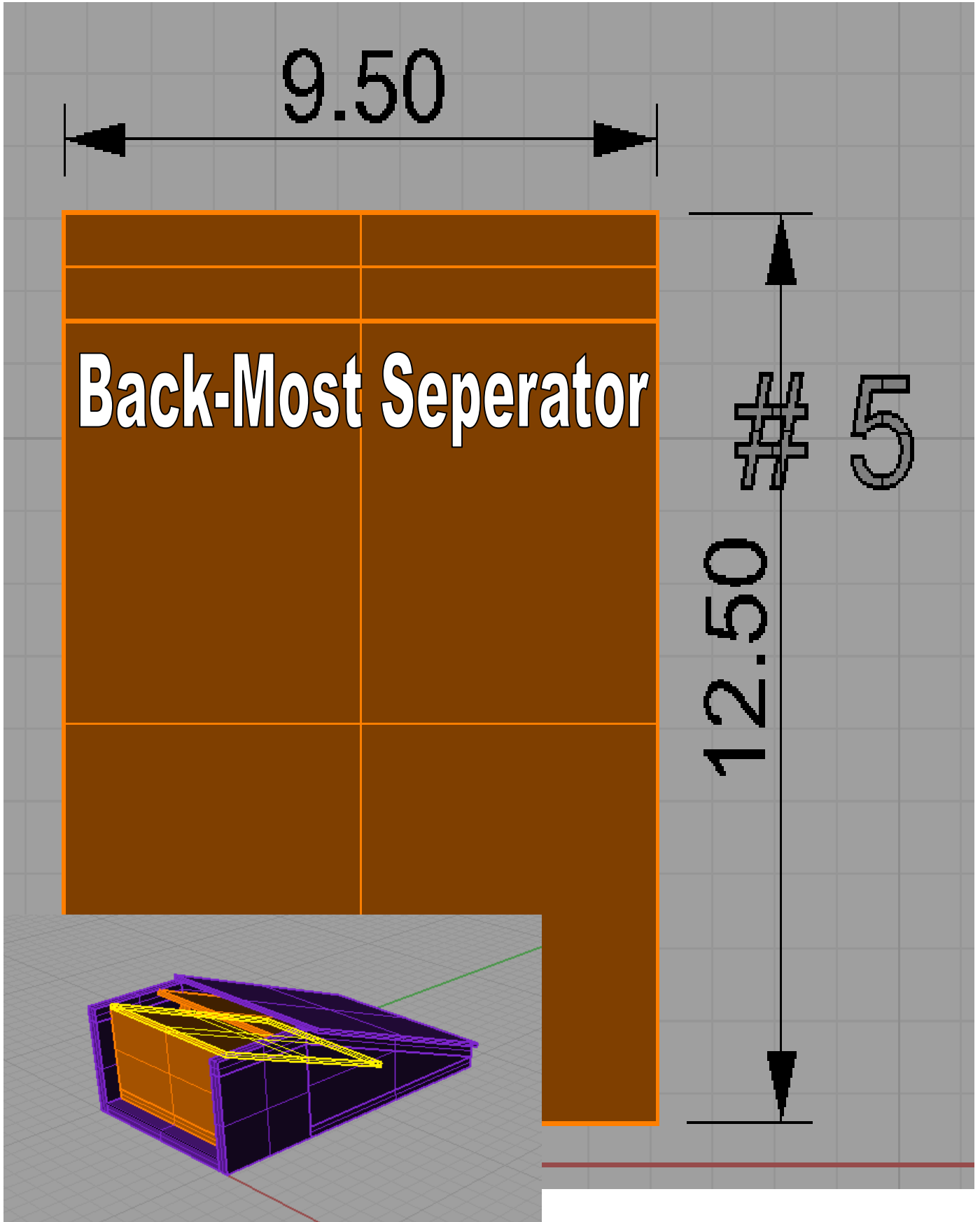
# Uncle George Bat Box Instructions



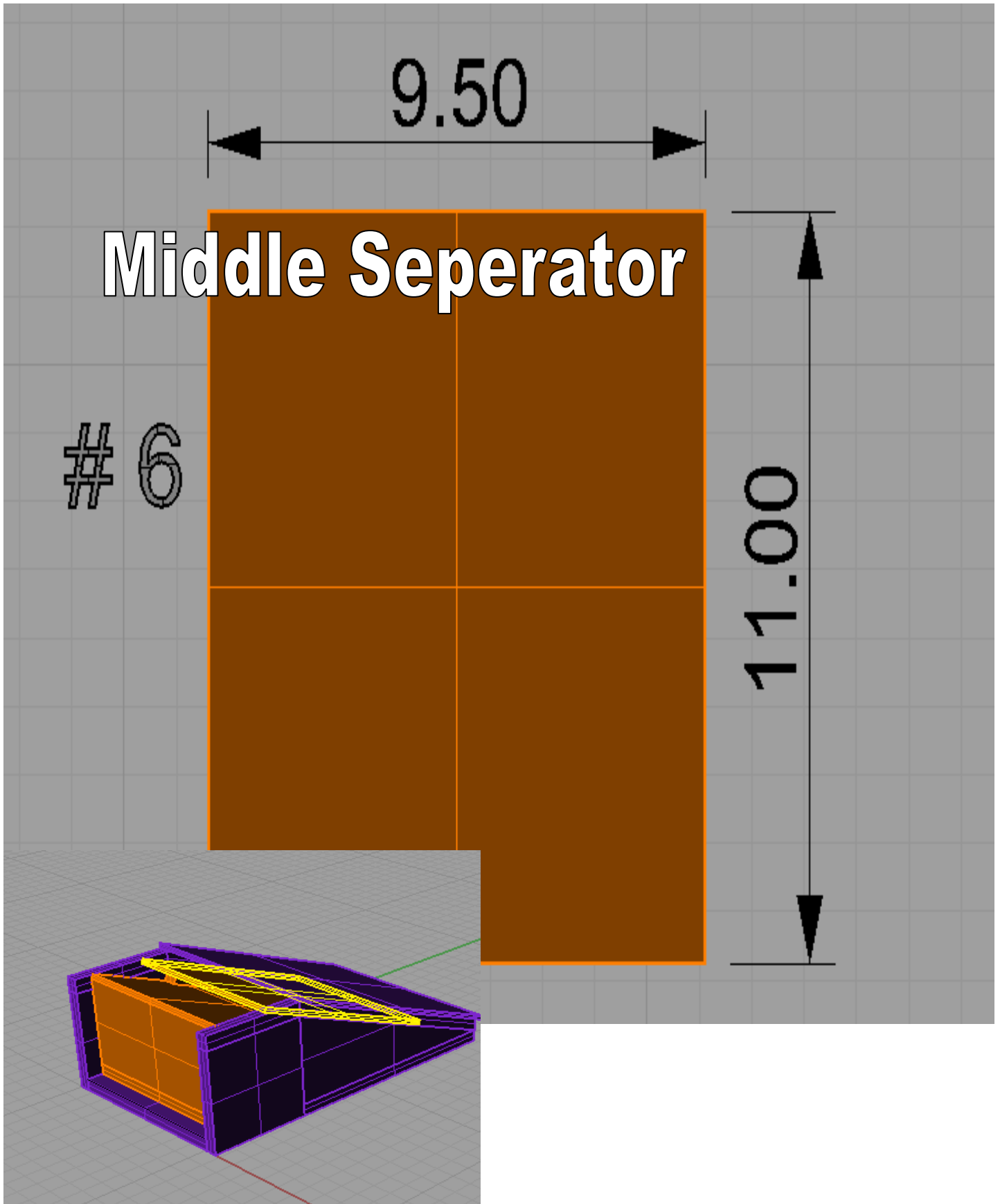
# Uncle George Bat Box Instructions



# Uncle George Bat Box Instructions

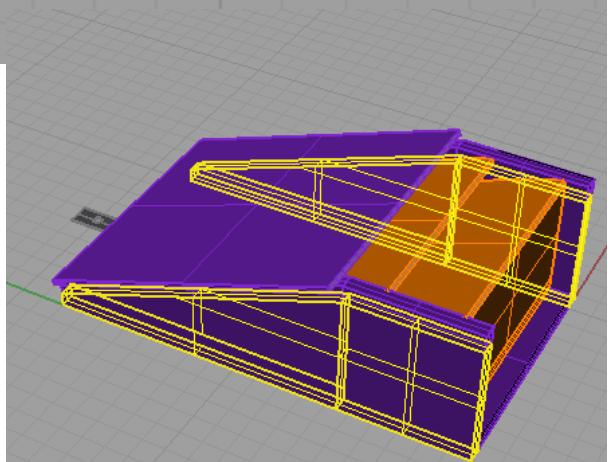
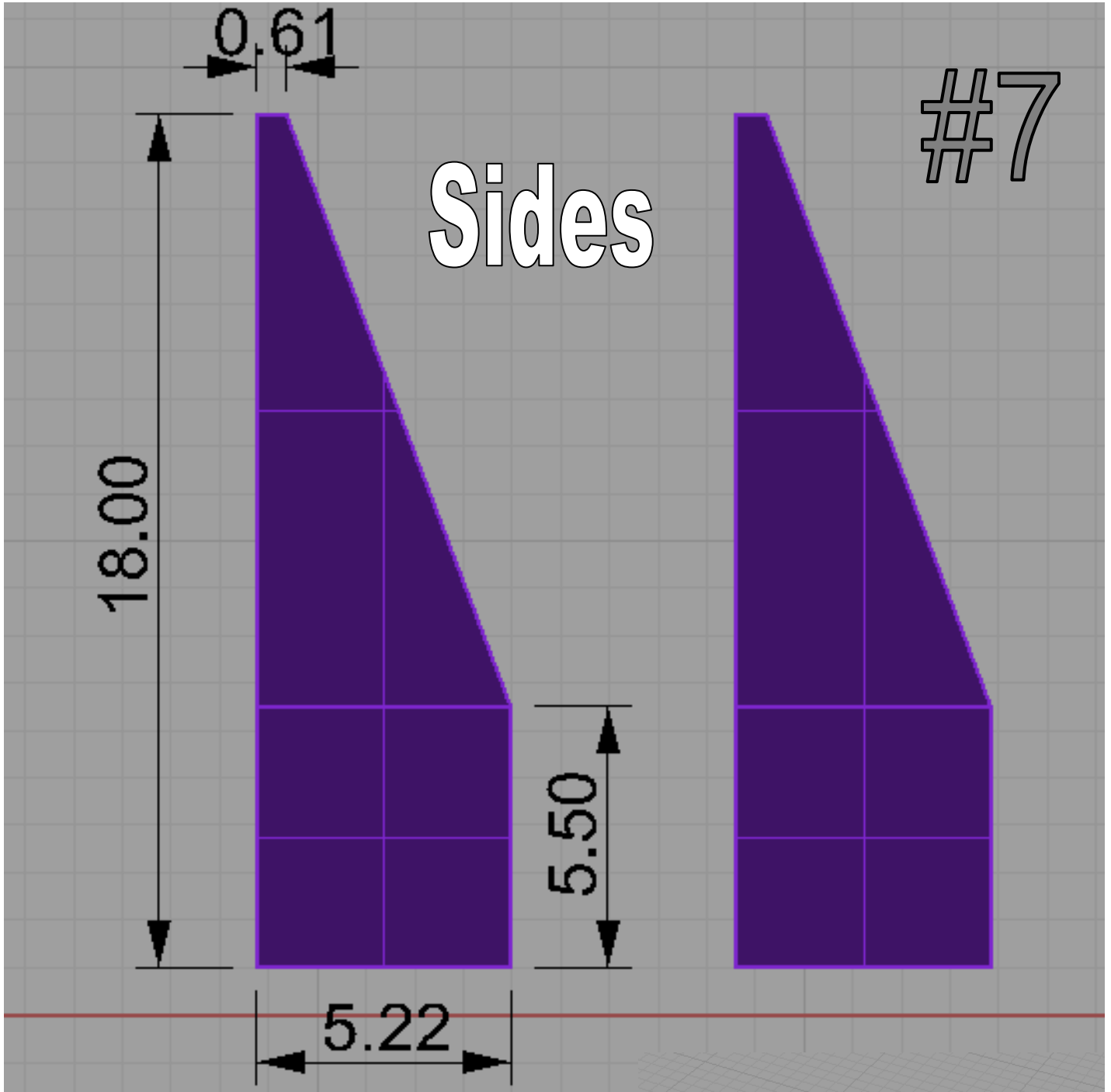


# Uncle George Bat Box Instructions





# Uncle George Bat Box Instructions



# Uncle George Bat Box Instructions

## Edge Covers

#8!

